

22SR



Concrete solutions. Always.

Engine D1105

Engine power 15,4 kW - 20,9 HP

Operating Weight 2.190 - 2.090 kg

 **EUROCOMACH**[®]

22SR

Operating weight with cabin (rubber tracks)	kg	2.190
Operating weight with canopy (rubber tracks)	kg	2.090
Travelling speed	km/h	1 st : 0 ÷ 2,6 / 2 nd : 0 ÷ 4,0
Slew speed	rpm	10,5

ENGINE

Type	KUBOTA D1105 - STAGE 5	
Power (2.400 rpm)	kW - HP	15,4 - 20,9
Displacement	cc	1.105
Number of cylinders	n°	3
Cooling	water	
Consumption	lt/h	3
Alternator	V (A)	12 (40)
Battery	V (Ah)	12 (62)

HYDRAULIC SYSTEM

Circuit Type	load sensing closed center system with flow sharing control valve	
Pump type	1 ls variable pump + 1 gear pump	
Pump displacement	cc	25+4,95
Pump capacity	lt/min	52+10,3
Max. circuit calibration pressure	bar	220
Auxiliary system:	Max capacity	lt/min
	Max pressure	bar
		50
		200

PERFORMANCES

Max digging depth standard arm (optional arm)	mm	2.560 (2.760)
Max dumping height with cab standard arm (optional arm)	mm	2.650 (2.760)
Bucket breaking force (standard arm) ISO 6015	daN	1.600
Arm breaking force (standard arm) ISO 6015	daN	1.000
Traction force	daN	1.900
Ground bearing pressure with rubber tracks and canopy (with cabin)	kg/cm ²	0,34 (0,35)
Max slope	60% - 30°	

DIMENSIONS

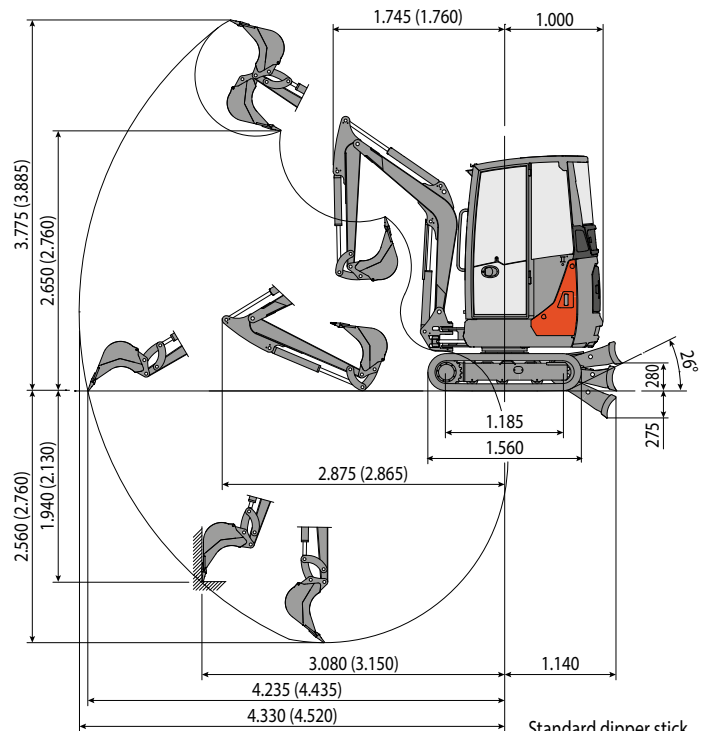
Maximum width	mm	990 - 1.300
Total height	mm	2.395
Rear rotation radius	mm	1.000
Digging arm length std (optional)	mm	1.250 (1.450)
Tracks width	mm	230
Rollers number (for each side)	n°	3

FILLINGS

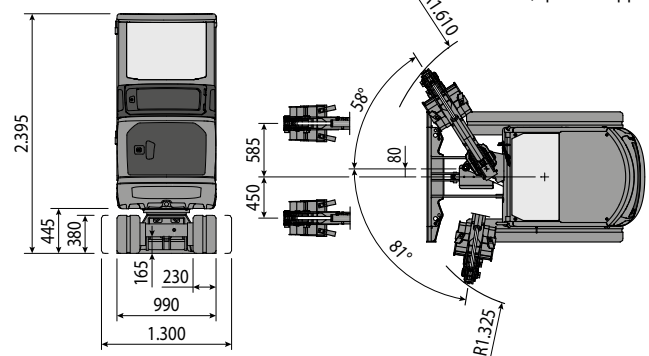
Fuel tank	lt	20
Hydraulic oil tank	lt	16
Hydraulic circuit capacity	lt	25
Cooling system capacity	lt	4
Engine oil	lt	4,4

CONTROLS

Boom, dipper stick, bucket and turret swing	2 pilot joysticks
Track movements	2 pilot levers
Dozer blade	pilot lever
Auxiliary circuit (simple or double effect)	electroproportional switch on right joystick
Boom swing	electroproportional switch on left joystick



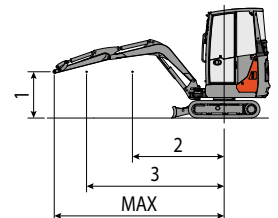
Standard dipper stick (Optional dipper stick)



LIFTING CAPACITY

Opening arm from the rotation's center (m)
Lifting capacity (kg) at 1.0 m height

	2	3	MAX
Frontal and lowered dozer blade	700	430	400
Frontal and lifted dozer blade	700	360	270
Lateral, open undercarriage	700	350	260



The lifting capacity is based on the ISO 10567 and it does not exceed more than the 75% of static tipping load or more than the 87% of the hydraulic lifting capacity of the machine.

 **EUROCOMACH**[®]